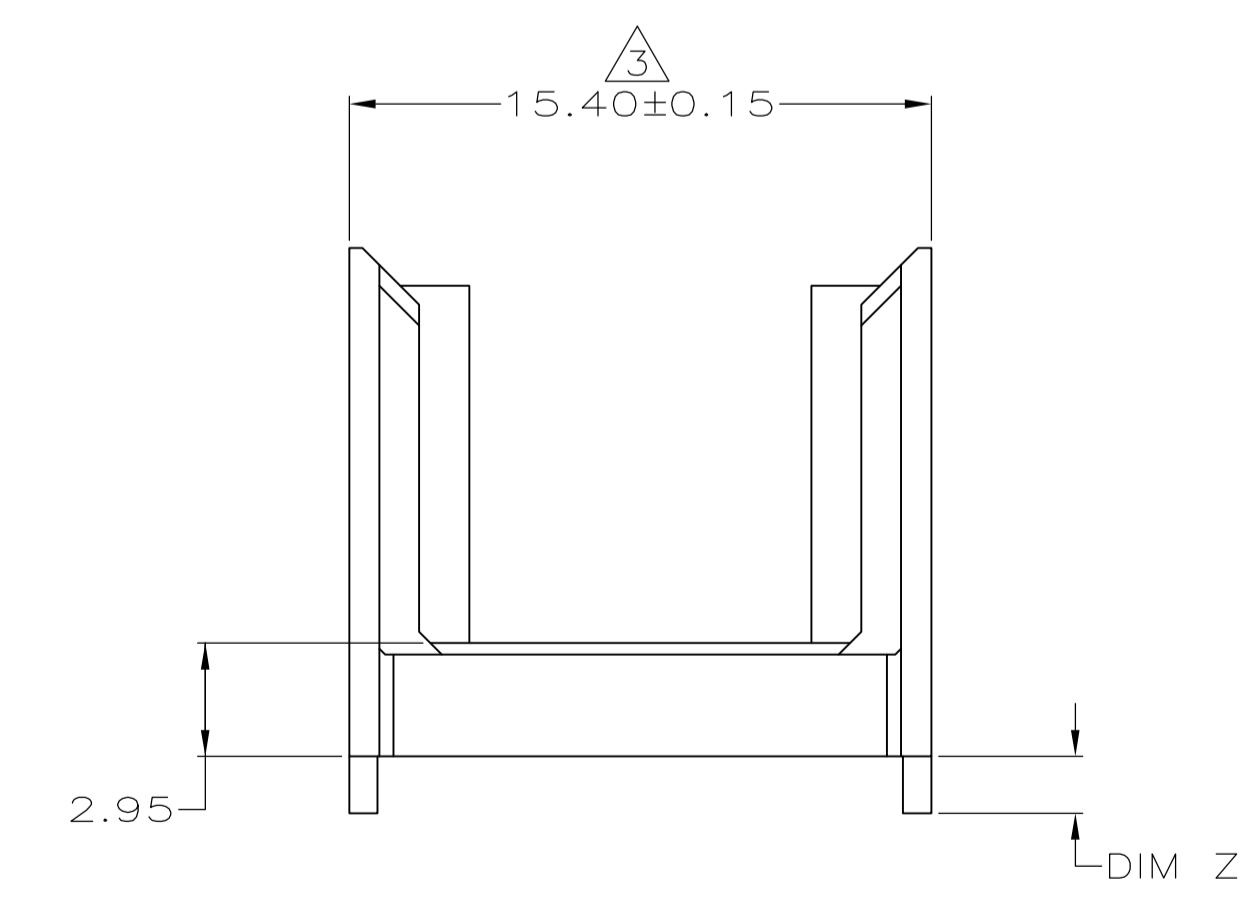
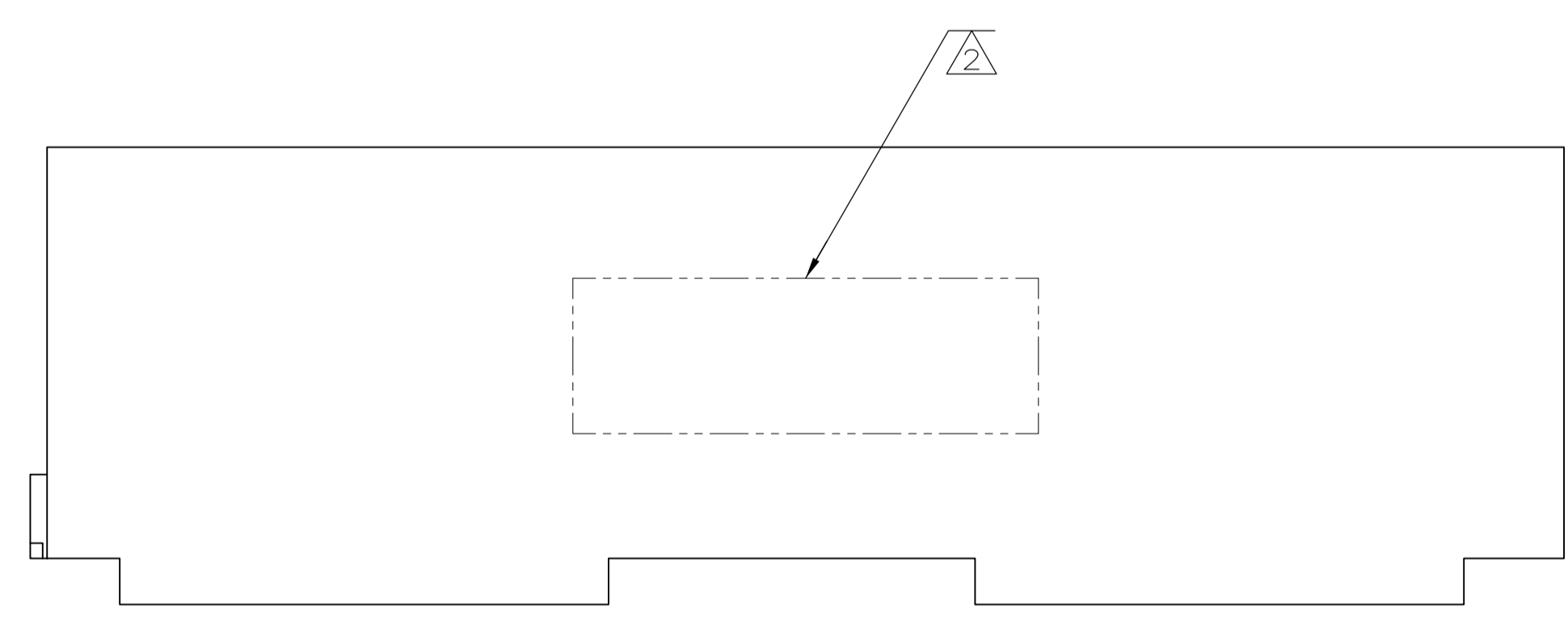
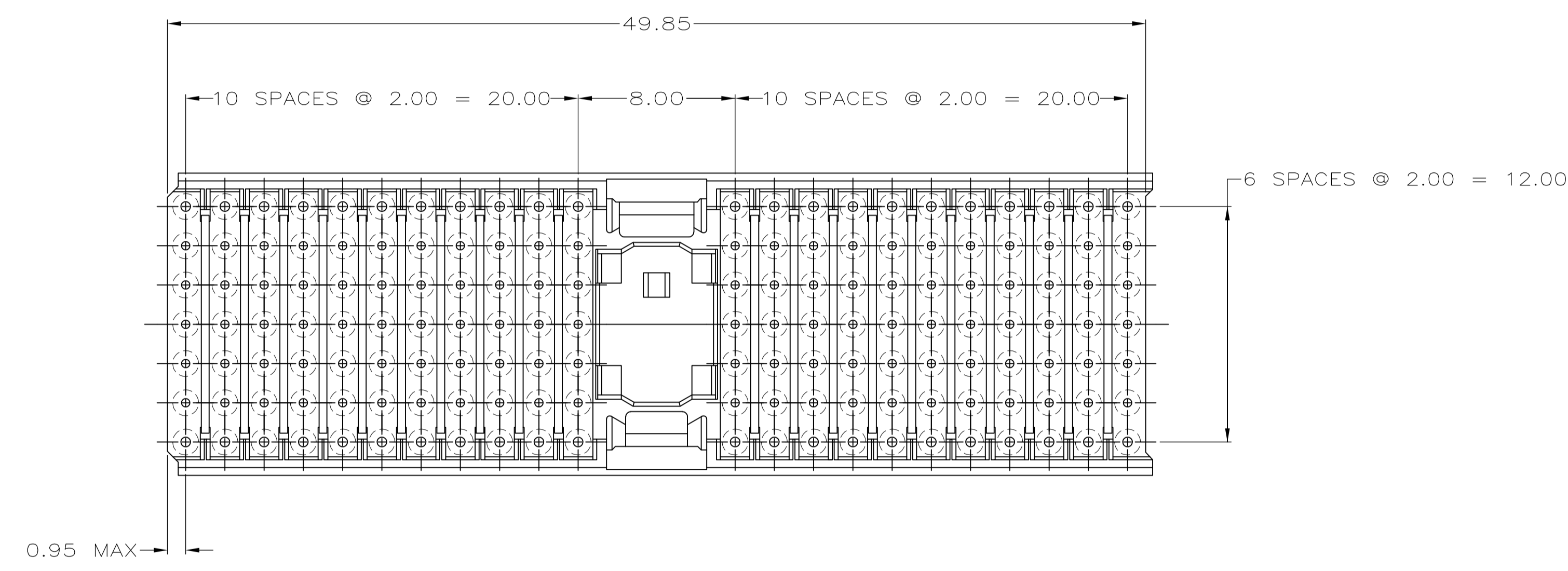
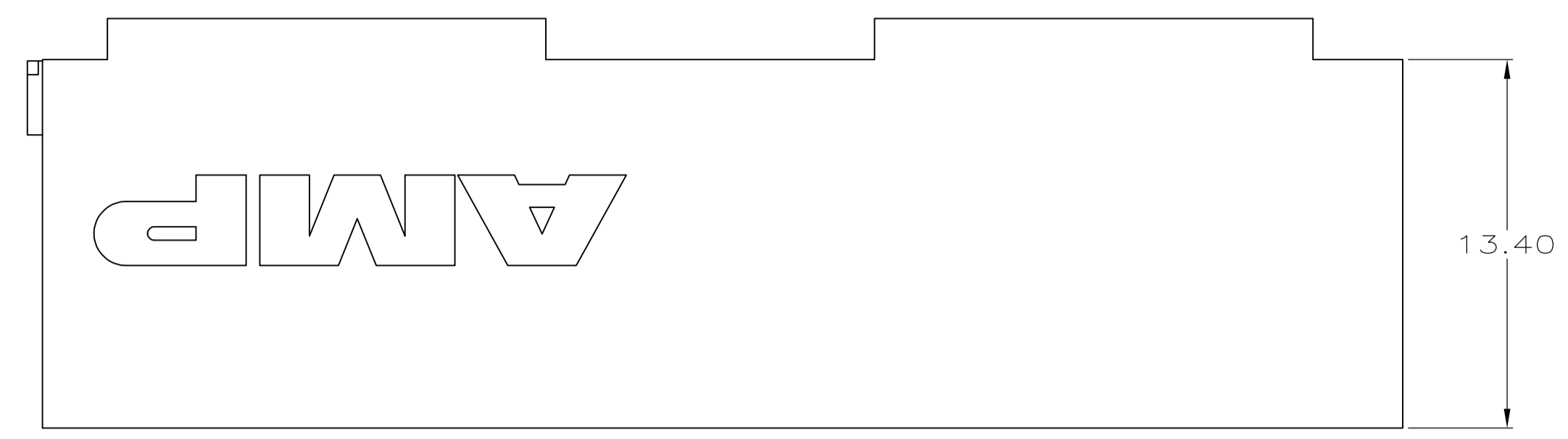


LOC		DIST		REVISIONS			
AD	47	SP	LTR	DESCRIPTION	DATE	DWN	APVD
		C		REV PER EC 0U1B-0192-01	27 JUN 01	BC	RP
		C1		REVISED PER ECO-10-000443	15JAN10	KK	AEG
		D		ECR-10-019054	15SEP10	DP	MQW

- ① MATERIAL: GLASS FILLED POLYESTER.
- ② PART NUMBER MARKED IN APPROXIMATE AREA SHOWN.
- ③ TO BE MEASURED AT BASE OF SHROUD.
- ④ OBSOLETE PARTS: OBSOLETE CIS STREAMLINING PER D.RENAUD/D.SINISI



DIM Z	PART NUMBER
1.90	646478-7
1.70	646478-6
1.50	646478-5
1.30	646478-4
1.10	646478-3
0.90	646478-2
—	646478-1
DIM Z	PART NUMBER

THIS DRAWING IS A CONTROLLED DOCUMENT

DIMENSIONS:	TOLERANCES UNLESS OTHERWISE SPECIFIED:	DWN	T. SHUEY	6-16-98
mm	0-PLG ±	CHK	G. SKIPPER	11-23-98
	1-PLG ±	APVD	G. SKIPPER	11-23-98
	2-PLG ±0.05 ±0.2	NAME	SHROUD, TYPE A,Z-PACK 2mm HM, 5 ROW, 154 POSITION, WITH GUIDE	
	3-PLG ±	APPLICATION SPEC	—	
	4-PLG ±	WEIGHT	—	
	ANGLES ±	SIZE	A100779 C- 646478	
MATERIAL	FINISH	CUSTOMER DRAWING	SCALE	5:1
①	—		SHEET	1 OF 1

AMP Incorporated Harrisburg, PA 17105-3608